



Product Code

1100mm W x 610mm H - 100-10-05

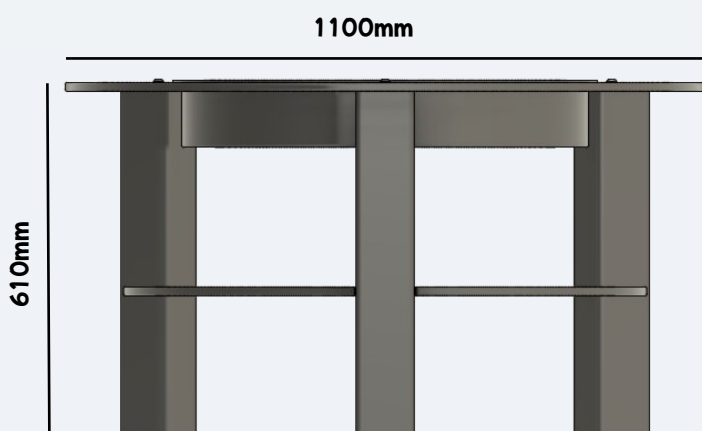
Material - High Density Polyethylene (HDPE)

Designed to British and European Standards - BS EN 1176

Development Domain

- Cognitive
- Language
- Physical
- Social & Emotional

Please contact us if you require further information about child development domains



Age Range = 3+

Approx. Weight

100-10-005 = 30kg

Note - Installation method is for guideline purposes only.

