

Product Code

350mm W x 140mm H - 100-10-08

Material - High Density Polyethylene
(HDPE)

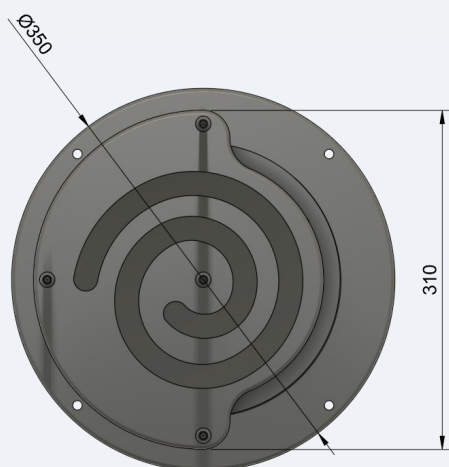
Designed to British and European
Standards - BS EN 1176



Development Domain

Cognitive	✓
Language	✓
Physical	✓
Social & Emotional	✓

Please contact us if you require further information about child development domains



Age Range = 3+

Approx. Weight

100-10-008 = 3kg

Note - Installation method is for guideline purposes only.

