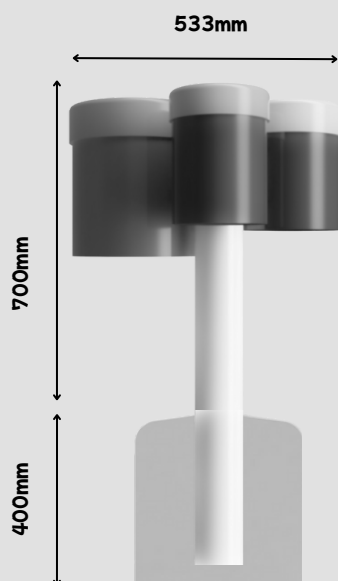




Product code	100-07-005
Dimensions (mm)	533 x 700mm
Materials	High density polyethylene Painted aluminium

Designed to British and European standards
BS EN 1176



Development Domain

- Cognitive
- Language
- Physical
- Social & Emotional

Please contact us if you require further information about child development domains

Age Range = 3+

Approx. Weight
100-07-005 = 15kg

Note - Installation method is for guideline purposes only.