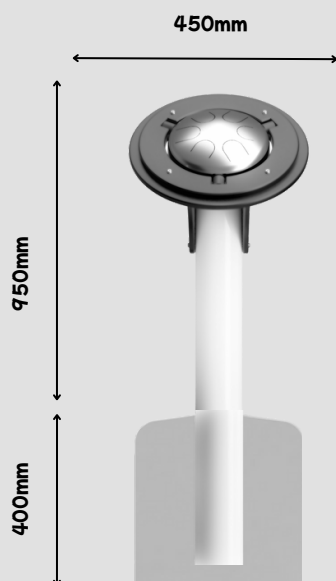




Product code	100-07-006
Dimensions (mm)	450 x 350 x 950mm
Materials	High density polyethylene Painted aluminium Stainless steel

Designed to British and European standards
BS EN 1176



Development Domain

- Cognitive
- Language
- Physical
- Social & Emotional

Please contact us if you require further information about child development domains

Age Range = 3+

Approx. Weight
100-07-006 = 12kg

Note - Installation method is for guideline purposes only.