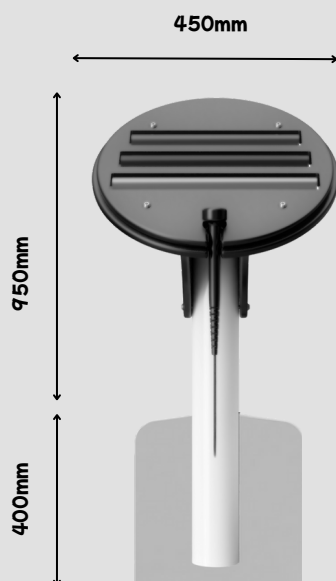




Product code	100-07-017
Dimensions (mm)	450 x 350 x 950mm
Materials	High density polyethylene Painted aluminium

Designed to British and European standards  
BS EN 1176



**Development Domain**

- Cognitive
- Language
- Physical
- Social & Emotional

Please contact us if you require further information about child development domains

**Age Range = 3+**

Approx. Weight  
100-07-017 = 12kg

Note - Installation method is for guideline purposes only.