



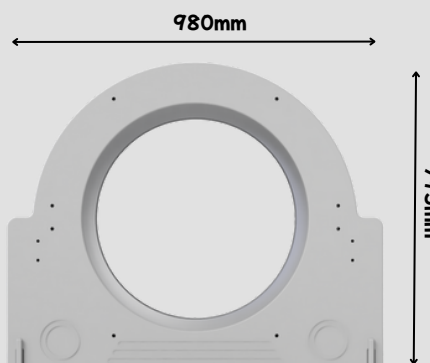
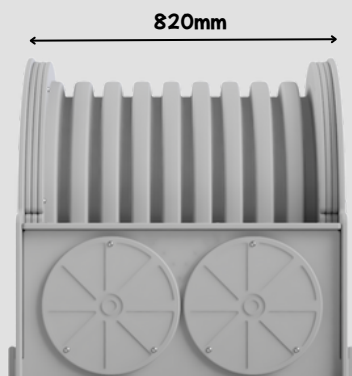
Product code	100-10-026
Dimensions (mm)	820x795x980
Materials	High density polyethylene

Designed to British and European standards
BS EN 1176

Development Domain

- Cognitive
- Language
- Physical
- Social & Emotional

Please contact us if you require further information about child development domains



Age Range = 3+

Approx. Weight
100-10-026 = 50kg

Note - Installation method is for guideline purposes only.