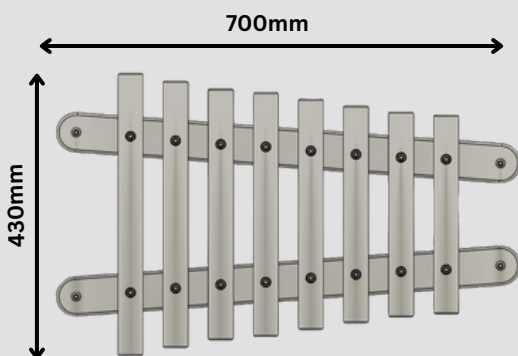




Product code	100-07-028
Dimensions (mm)	700 x 430mm
Materials	High density polyethylene Anodized aluminium

Designed to British and European standards
BS EN 1176



i Development Domain

- Cognitive
- Language
- Physical
- Social & Emotional

i Specification

Approximate weight
100-07-028 = 7kg

Age range 3+