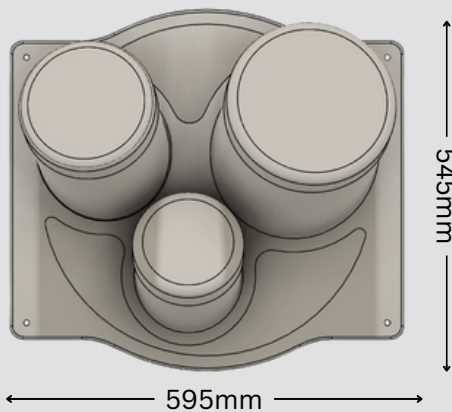


Product code	100-07-032
Dimensions (mm)	595 x 545 x 310mm
Materials	High density polyethylene PVC-U ABS

Designed to British and European standards
BS EN 1176



i Development Domain

- Cognitive
- Language
- Physical
- Social & Emotional

i Specification

Approximate weight
100-07-032 = 14kg

Age range 3+